



ashton & bentley

Delphi
Specification



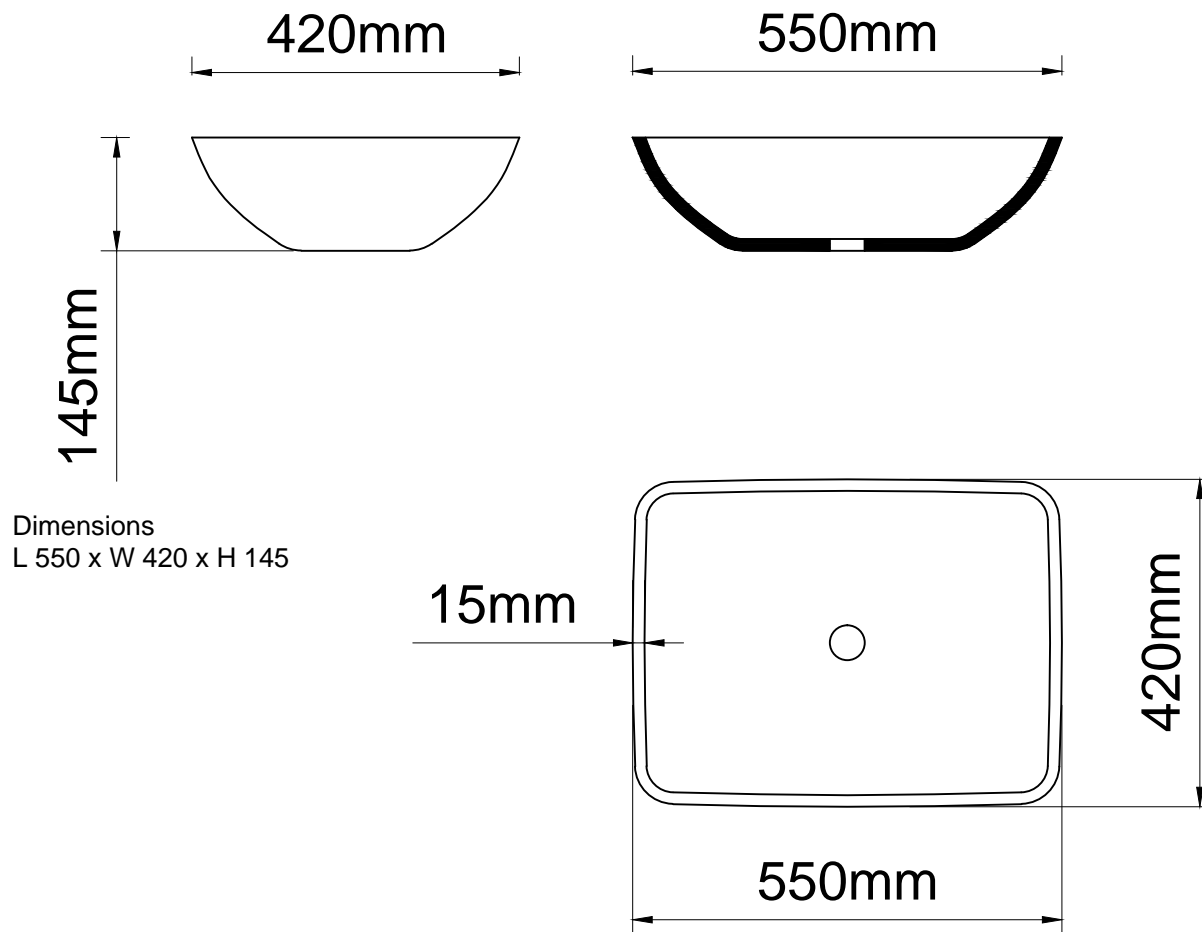
Delphi basin

Notes

Taps, accessories and assembly parts are not included and must be purchased separately.

Important

All dimensions listed are nominal. Being cast products they are subject to a size variance of +/- 3% tolerances.



Dimensions
L 550 x W 420 x H 145

0	28/01/14	Drawing created	CADS	CADS
REV	DATE	DESCRIPTION	DRAWN	CHECKED

DRAWING TITLE				
Delphi basin				
SCALE	PAPER SIZE	DATE	DRAWN	CHECKED
1:10	A4	28/01/14	CADS	CADS

DRAWING No	REVISION
DEL-01	- 0

